

Key Features

- Ultra-compact
- Based on TFF technology
- Ultra-low Insertion loss
- Stable at wide range of operating temperatures
- One side fiber feedthrough

Applications

- Coherent DWDM networks, Phased Array Antennas, Airborne/Satellite Communications, Sensor, LIDAR, Fiber optical testing equipment.



Ultra Compact WDM
Ultra Compact PM 4CH DWDM(100G/200G)



Specifications

Parameters	Unit	40 Channels
Insertion Loss	dB	≤1.8
Ripple	dB	≤0.5
Extinction Ratio @ 23°C(dB)	dB	≥18(exclude connector)
Dimension	mm	50X20X6.5
Channel Center Wavelengths	nm	ITU
Channel Spacing	nm	100G:0.8 / 200G:0.16
Channel Passband	nm	100G: $\lambda_c \pm 0.11$ (Min.) / 200G: $\lambda_c \pm 0.25$ (Min.)
Adjacent Isolation	dB	≥30
Non-adjacent Isolation	dB	≥ 40
Return Loss	dB	≥45
Directivity	dB	≥50
Connector	dB	FC/APC or SC/APC Slow Axis

Note: The above specs exclude connector loss, each pair of connectors.add 0.2dB, ER is 2dB lower. The default connector key is aligned to slow axis.

Operating Conditions

Parameters	Unit	40 Channels
Maximum Power handling	mW	500
Operating Temperature*	°C	-5 ~ +70
Storage Temperature	°C	-40 ~ +85
Operation Humidity	-	5 to 95 % Relative Humidity

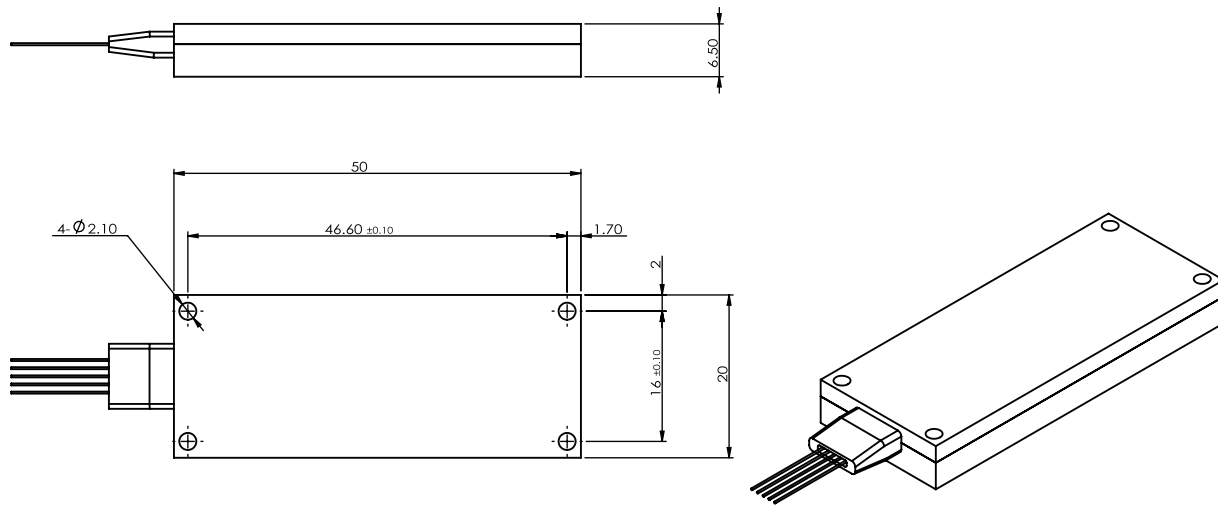
Contact us for your Industrial temperature application.

Ultra Compact WDM

Ultra Compact PM 4CH DWDM(100G/200G)

Mechanical Dimensions

- Ultra Compact PM 4CH DWDM mechanical Dimension:



Notice: Our spec temperature (N) is commercial temp. range -5 ~ 70 °C. Please contact us if you need industrial temperature (T) range -40 ~ 80 °C. Or extender range of (E) -20~80 °C

OptiWorks Headquarters

OptiWorks, Inc.

47211 Bayside Parkway, Fremont, CA 94538, USA
Phone +1 510 438 4560 sales@optiworks.com
www.optiworks.com

Global Sales Contacts

OptiWorks (Kunshan) Co., Ltd.	Phone +86 512 5763 0880	sales_china@optiworks.com
OptiWorks (Shanghai) Co., Ltd.	Phone +86 021 6485 8787	sales_china@optiworks.com
BizLink International Corp.	Phone +886 2 8226 1000	sales_tw@bizlinktech.com