



### Key Features

- Ultra-compact
- Based on TFF technology
- Ultra-low Insertion loss
- Stable at wide range of operating temperatures
- One side fiber feedthrough

### Applications

- DWDM networks, NG-PON2, 5G xHaul, Phased Array Antennas, Airborne/Satellite Communications.



**Ultra Compact WDM**  
**Ultra Compact 40CH 100G DWDM**



**Specifications**

Parameters	Unit	40 Channels
Insertion Loss	dB	≤2.6
Ripple	dB	≤0.5
Polarization Dependent Loss	dB	≤0.35
Dimension	mm	90X60X8
Channel Center Wavelengths	nm	ITU
Channel Spacing	nm	100G:0.8
Channel Passband	nm	100G: $\lambda_c \pm 0.11$ ( Min. )
Isolation-Adjacent	dB	≥30
Isolation-Non-adjacent	dB	≥ 40
Return Loss	dB	≥45
Directivity	dB	≥50

Note: The above specs exclude connector loss, each pair of connectors.add 0.2dB

**Operating Conditions**

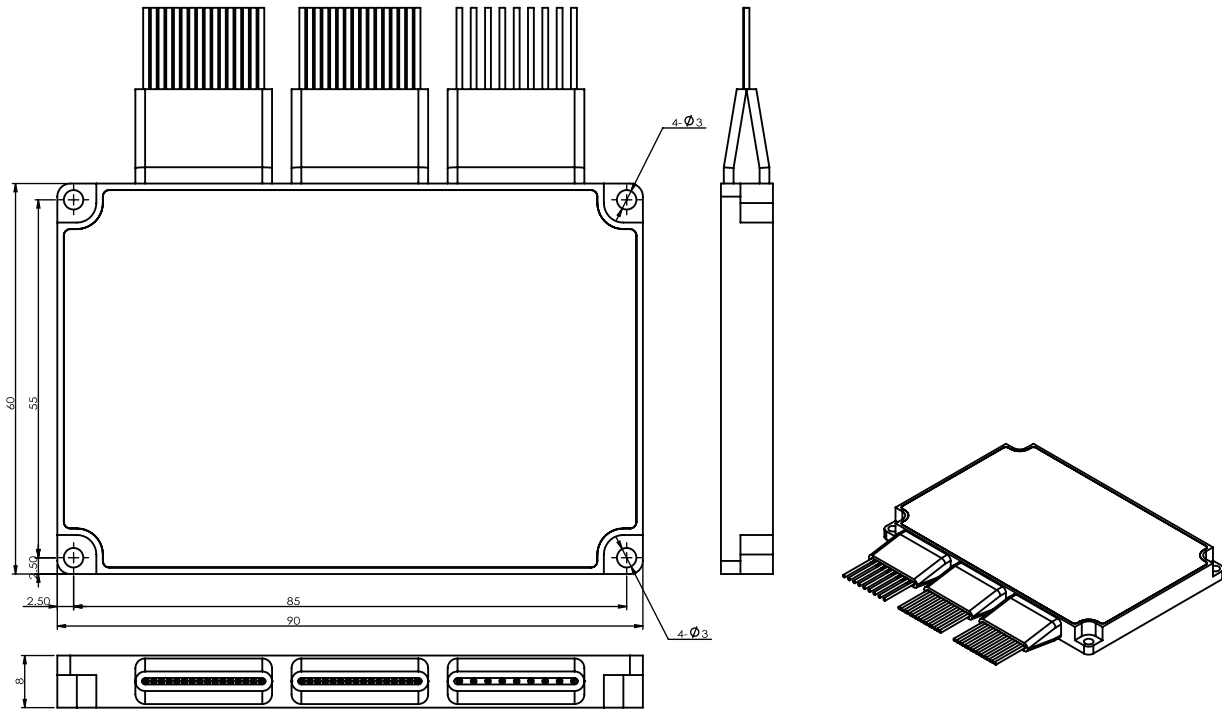
Parameters	Unit	40 Channels
Maximum Power handling	mW	500
Operating Temperature*	°C	-5 ~ +70
Storage Temperature	°C	-40 ~ +85
Operation Humidity	-	5 to 95 % Relative Humidity

Contact us for your Industrial temperature application.

**Ultra Compact WDM**  
**Ultra Compact 40CH 100G DWDM**

**Mechanical Dimensions**

- 40 Channels Ultra Compact DWDM mechanical Dimension:



Notice: Our spec temperature (N) is commercial temp. range -5 ~ 70 °C. Please contact us if you need industrial temperature (T) range -40 ~ 80 °C. Or extender range of (E) -20~80 °C

**OptiWorks Headquarters**

**OptiWorks, Inc.**

47211 Bayside Parkway, Fremont, CA 94538, USA  
Phone +1 510 438 4560 sales@optiworks.com  
www.optiworks.com

**Global Sales Contacts**

<b>OptiWorks (Kunshan) Co., Ltd.</b>	Phone +86 512 5763 0880	sales_china@optiworks.com
<b>OptiWorks (Shanghai) Co., Ltd.</b>	Phone +86 021 6485 8787	sales_china@optiworks.com
<b>BizLink International Corp.</b>	Phone +886 2 8226 1000	sales_tw@bizlinktech.com