



Ultra Compact 8/10/18CH CWDM Module



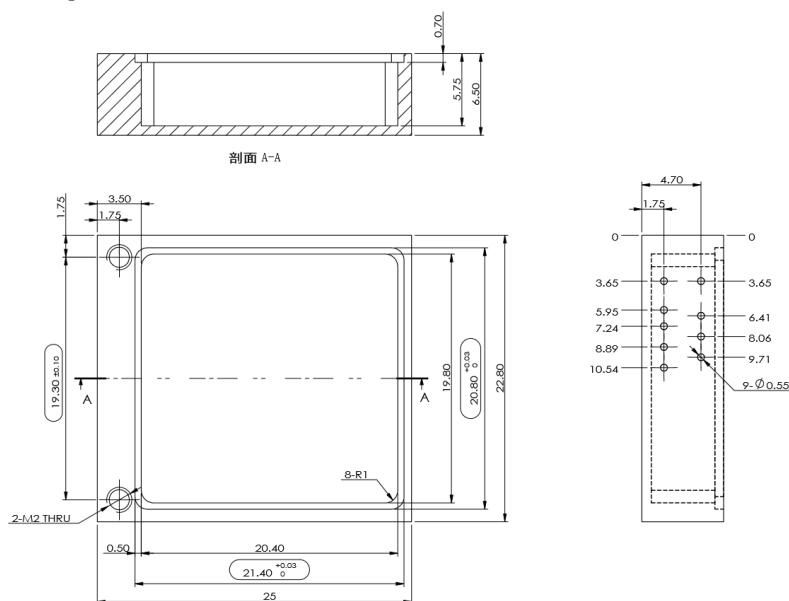
www.Optiworks.com

1. Performance

This document proposes the specifications of Ultra Compact 8/10/18CH CWDM Module:

Parameters		Value	Unit
Channel Center Wavelengths (nm)		1271-1611nm, 20 nm spacing	nm
Channel Spacing		20	nm
Channel Passband		$\lambda_c \pm 6.5$ (Min.)	nm
Insertion Loss	8CH	Maximum 1.75 (Standard) with uniformity ≤ 1.0 Maximum 1.5 (Premium) with uniformity ≤ 1.0	dB
	10 CH	Maximum 1.80 (Standard) with uniformity ≤ 1.0 Maximum 1.6 (Premium) with uniformity ≤ 1.0	
	18 CH	Maximum 2.8 (Standard) with uniformity ≤ 1.0 Maximum 2.0 (Premium) with uniformity ≤ 1.0	
Isolation	Adjacent	≥ 30	dB
	Non-adjacent	≥ 40	dB
Polarization Dependent Loss		≤ 0.30	dB
Directivity		≥ 50	dB
Operating Temperature		-5 ~ +70	°C
Storage Temperature		-40 ~ +85	°C
Dimension		25x22.8x6.5	mm
Fiber		250um Corning ClearCurve Fiber, 900 μ m or 600 μ m loose tube	-

2. Ultra Compact 8/10/18CH CWDM module size reference



3. RoHS appliance. GR-1209-Core, GR-1221-Core Generic Requirement and test standard.

Disclaimer: **INFORMATION IN THIS DOCUMENT IS PROVIDED IN CONNECTION WITH OPTIWORKS PRODUCTS. NO LICENSE, EXPRESS OR IMPLIED, BY ESTOPPEL OR OTHERWISE, TO ANY INTELLECTUAL PROPERTY RIGHTS IS GRANTED BY THIS DOCUMENT. EXCEPT AS PROVIDED IN OPTIWORKS TERMS AND CONDITIONS OF SALE FOR SUCH PRODUCTS, OPTIWORKS ASSUMES NO LIABILITY WHATSOEVER AND DISCLAIMS ANY EXPRESS, IMPLIED OR STATUTORY WARRANTY RELATING TO ITS PRODUCTS INCLUDING, BUT NOT LIMITED TO, THE IMPLIED WARRANTY OF MERCHANTABILITY, FITNESS FOR A PARTICULAR PURPOSE, OR NON-INFRINGEMENT. IN NO EVENT SHALL OPTIWORKS BE LIABLE FOR ANY DIRECT, INDIRECT, CONSEQUENTIAL, PUNITIVE, SPECIAL OR INCIDENTAL DAMAGES (INCLUDING, WITHOUT LIMITATION, DAMAGES FOR LOSS AND PROFITS, BUSINESS INTERRUPTION, OR LOSS OF INFORMATION) ARISING OUT OF THE USE OR INABILITY TO USE THIS DOCUMENT.** Optiworks makes no representations or warranties with respect to the accuracy or completeness of the contents of this document and reserves the right to make changes to specifications and product descriptions at any time without notice. Unless specifically provided otherwise, Optiworks products are not intended, authorized, or warranted for use as components in medical applications, or applications intended to support or sustain life.

“Optiworks” and the Optiworks logo are registered trademarks of Optiworks Technologies Co., Ltd. Other names, terms and product names may be trademarks of others.

© 2016 Optiworks Technologies Co., Ltd. All rights reserved.

Optiworks Technologies Co., Ltd.

USA

OptiWorks, Inc. 47211 Bayside Pkwy.

Fremont, CA 94538

510-770-8266/510-770-8291

sales@optiworks.com

China - Kunshan

Optiworks(Kunshan)Co.,Ltd.

NO.168Nanhe Road, ETDZ

Kunshan 215300. PRC

Tel: +86 (512) 57630880-23305

contact@optiworks.com

China - Shanghai

Optiworks(Shanghai)Co.,Ltd.

Room 810-811, Changchun Business Building No.953QinZhou North Road.

Shanghai, 200233 PRC

Tel: +86 (21) 6485-8787

contact@optiworks.com