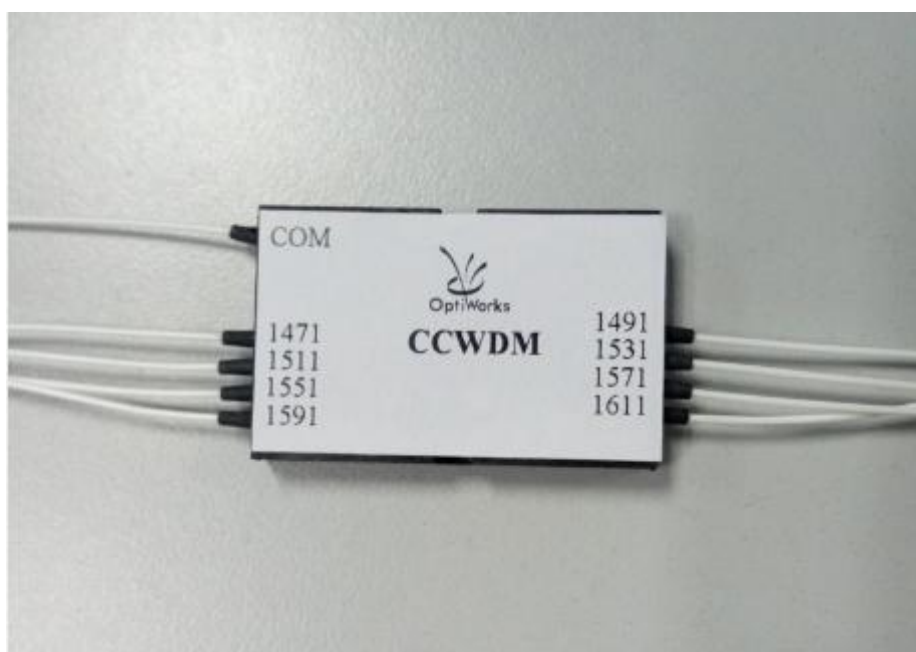




Compact 4/8CH CWDM Module



www.Optiworks.com

1. Performance

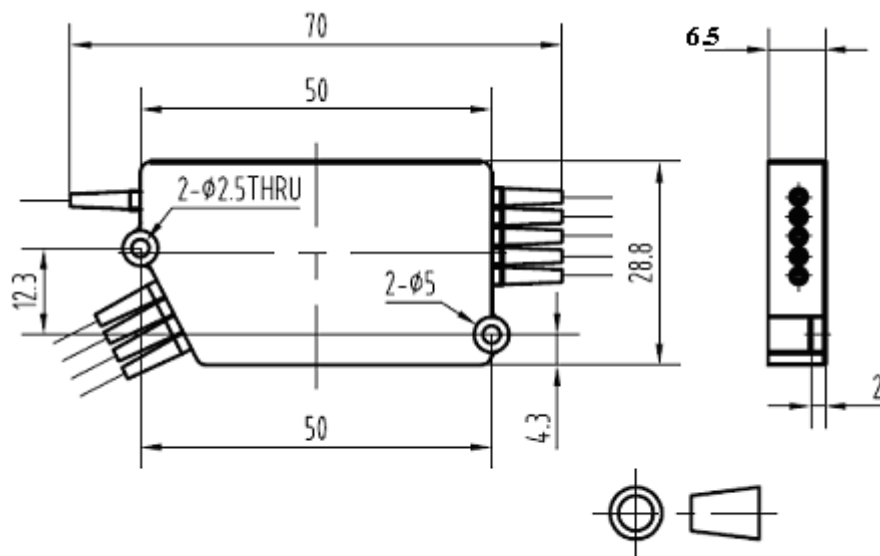
This document proposes the specifications of Compact 4/8CH CWDM Module:

Features	Applications
Based Thin Film Filter Technology	Mux or DeMux
Free Space	Combine/Separate 8 Channels with 20nm Spacing
Temperature Independent Performance	Metro Optical Networks
Compact and Reliable	Metro Access Networks

Performance Specifications

Parameters	Specification			Unit
	Min.	Type	Max.	
Center Wavelength(λ_c)	1471,1491,1511,1531,1551,1571,1591, 1611 or 1470,1490,1510,1530,1550,1570,1590, 1610			nm
Channel Spacing	20			nm
Channel Passband	13			nm
Insertion Loss	4CH		1.5	dB
	8CH		2.0	dB
Passband Ripple			0.3	dB
Isolation (adjacent channel)	30			dB
Isolation (non-adjacent channel)	45			dB
Return Loss	45			dB
Directivity	50			dB
Polarization Dependent Loss			0.2	dB
Operating Power	≤ 500			mw
Operating Temperature	-5~75			$^{\circ}\text{C}$
Storage Temperature	-40~85			$^{\circ}\text{C}$
Fiber type	G.657A2 or equivalent			
Package Dimension	50*28.8*6.5			mm

2. Compact 4/8CH CWDM Module size reference



3. RoHS appliance. GR-1209-Core, GR-1221-Core Generic Requirement and test standard.

Disclaimer: INFORMATION IN THIS DOCUMENT IS PROVIDED IN CONNECTION WITH OPTIWORKS PRODUCTS. NO LICENSE, EXPRESS OR IMPLIED, BY ESTOPPEL OR OTHERWISE, TO ANY INTELLECTUAL PROPERTY RIGHTS IS GRANTED BY THIS DOCUMENT. EXCEPT AS PROVIDED IN OPTIWORKS TERMS AND CONDITIONS OF SALE FOR SUCH PRODUCTS, OPTIWORKS ASSUMES NO LIABILITY WHATSOEVER AND DISCLAIMS ANY EXPRESS, IMPLIED OR STATUTORY WARRANTY RELATING TO ITS PRODUCTS INCLUDING, BUT NOT LIMITED TO, THE IMPLIED WARRANTY OF MERCHANTABILITY, FITNESS FOR A PARTICULAR PURPOSE, OR NON-INFRINGEMENT. IN NO EVENT SHALL OPTIWORKS BE LIABLE FOR ANY DIRECT, INDIRECT, CONSEQUENTIAL, PUNITIVE, SPECIAL OR INCIDENTAL DAMAGES (INCLUDING, WITHOUT LIMITATION, DAMAGES FOR LOSS AND PROFITS, BUSINESS INTERRUPTION, OR LOSS OF INFORMATION) ARISING OUT OF THE USE OR INABILITY TO USE THIS DOCUMENT. Optiworks makes no representations or warranties with respect to the accuracy or completeness of the contents of this document and reserves the right to make changes to specifications and product descriptions at any time without notice. Unless specifically provided otherwise, Optiworks products are not intended, authorized, or warranted for use as components in medical applications, or applications intended to support or sustain life.

“Optiworks” and the Optiworks logo are registered trademarks of Optiworks Technologies Co., Ltd. Other names, terms and product names may be trademarks of others.

© 2016 Optiworks Technologies Co., Ltd. All rights reserved.

Optiworks Technologies Co., Ltd.

USA

OptiWorks, Inc. 47211 Bayside Pkwy.

Fremont, CA 94538

510-770-8266/510-770-8291

sales@optiworks.com

China - Kunshan

Optiworks(Kunshan)Co.,Ltd.

NO.168Nanhe Road, ETDZ

Kunshan 215300. PRC

Tel: +86 (512) 57630880-23305

contact@optiworks.com

China - Shanghai

Optiworks(Shanghai)Co.,Ltd.

Room 810-811,Changchun Business Building No.953QinZhou North Road.

Shanghai, 200233 PRC

Tel: +86 (21) 6485-8787

contact@optiworks.com

