



## **Ultra Compact 10ch CWDM**

**OptiWorks Inc.**

**47211 Bayside Pkwy**

**Fremont, CA 94538**

**Tel: +1 510 438 4560 Fax: +1 510 438 4470**

**[www.optiworks.com](http://www.optiworks.com)**

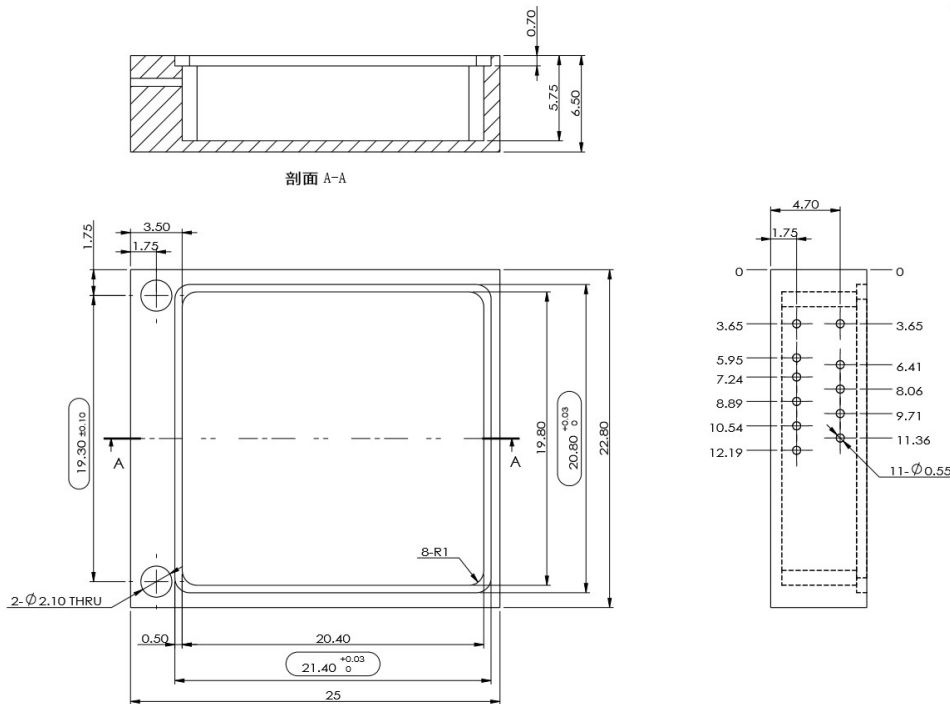
**Email: [sales@optiworks.com](mailto:sales@optiworks.com)**

### 1. Performance

This document proposes the specifications of 10 channel ultra compact CWDM:

Parameters		Value	Unit
Channel Center Wavelengths (nm)		1431-1611nm, 20 nm spacing	nm
Channel Spacing		20	nm
Channel Passband		$\lambda_c \pm 6.5$	nm
Insertion Loss		$\leq 1.5$	dB
Isolation	Adjacent	$\geq 30$	dB
	Non-adjacent	$\geq 40$	dB
Polarization Dependent Loss		$\leq 0.25$	dB
Polarization Mode Dispersion		$\leq 0.2$	dB
Return Loss		$\geq 40$	dB
Operating Temperature		-5 ~ +70	°C
Storage Temperature		-40 ~ +85	°C
Dimension		25x22.8x6.5	mm
Fiber		250um Corning ClearCurve Fiber, 0.9mm or 0.6mm loose tube	

### 2. Ultra Compact CWDM module size reference



### 3. RoHS appliance. GR-1209-Core, GR-1221-Core Generic Requirement and test standard.